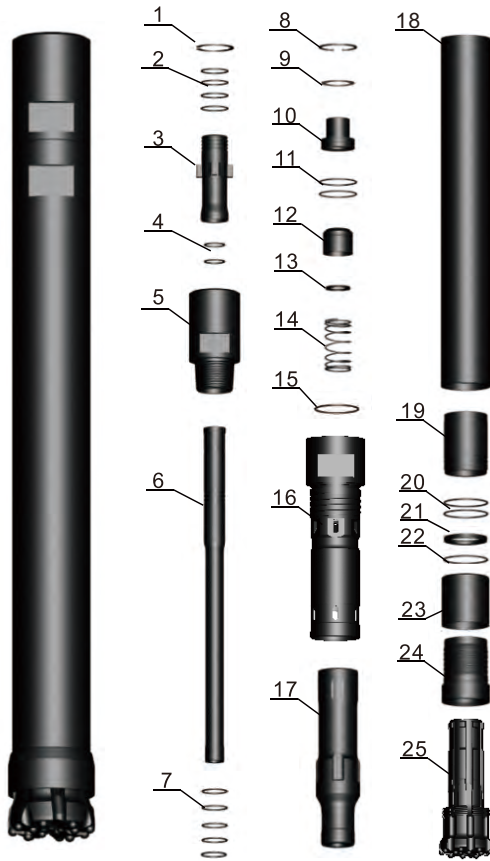


RC5.5-A67 HAMMER

RC5.5-A67 Hammers	Item Description	Weight (Kg)	Part Number
-------------------	------------------	-------------	-------------

SPARE PARTS LISTING: RC5.5 (Hammer OD 132mm) comes complete with Adaptor Sub



1	CIRCLIP	0.05	A67-CIRCLIP-TSUB
2	"O" RING X4	0.02	A67-SK-ASCREEN1
3	ADAPTOR SCREEN	2.95	A67-ASCREEN
4	"O" RING X2	0.02	A67-SK-ASCREEN2
5	TOP SUB	6.98	A67-TSUB
6	SAMPLE TUBE	4.90	A67-STUBE
7	"O" RING X5	0.02	A67-SK-STUBE
8	CIRCLIP	0.04	A67-CIRCLIP-AIRSCREEN
9	AIRSCREEN	0.02	A67-AIRSCREEN
10	DISTRIBUTOR NOZZLE	0.48	A67-DIST
11	"O" RING X2	0.02	A67-SK-DIST
12	PLUNGER	0.53	A67-PLUNGER
13	"Y" RING X1	0.02	A67-SK-PLUNGER
14	SPRING	0.12	A67-SPRING
15	"O" RING X1	0.02	A67-SK-ICYL
16	INNER CYLINDER	12.00	A67-ICYL
17	PISTON	16.70	A67-PISTON
18	PISTON CASE	25.30	A67-ECYL
19	BUSH DRIVE SUB	2.30	A67-BUSH
20	"O" RING X2	0.02	A67-SK-BUSH
21	BIT RETAINING RING	0.23	A67-SRING
22	"O" RING X1	0.02	A67-SK-SRING
23	SHROUD	1.60	A67-SHROUD
24	DRIVE SUB	3.10	A67-DSUB
25	DRILL BIT	12.60	

Technical Data

Length(Less bit)	Weighth(Less bit)	External Diameter	Bit Shank	Hole Range	Connection Thread
1280mm	86.8KG	Φ132	AD	Φ136-Φ146	4-1/2" Remet/Metzke
Working Pressure	Impact rate at 4 Mpa	Recommended rotation speed	Air Consumption		
			400-1100(PSI)		
4-11MPA	35HZ	30-70r/min	400-2400(CFM)		

