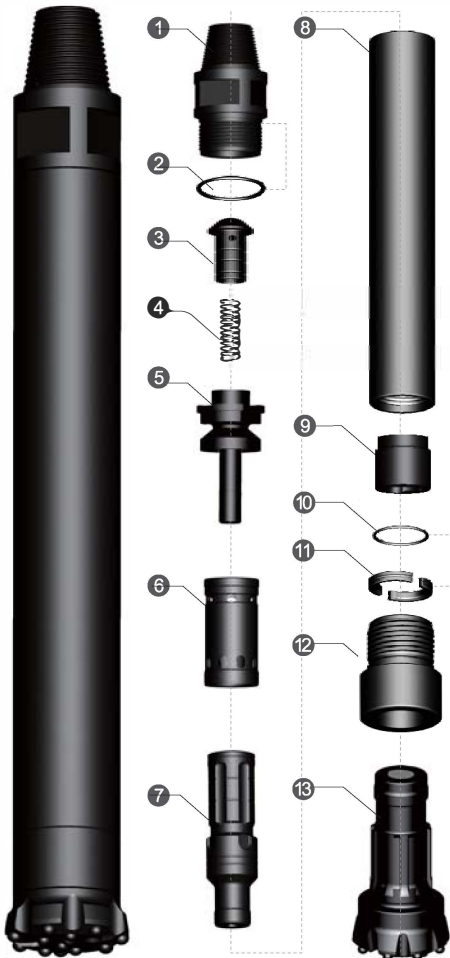


HQL60A DTH HAMMER

HQL60A. Hammers	Item Description	Weight (Kg)	Part Number
-----------------	------------------	-------------	-------------



1	Top Sub	20.00	HQL60A-TSUB
2	"O"Ring of Top Sub	0.015	HQL60A-SR-TSUB
3	Check Valve	0.70	HQL60A-CVALVE
4	Spring	0.10	HQL60A-SPRING
5	Air Distributor	3.50	HQL60A-DIST
6	Internal Cylinder	4.20	HQL60A-ICYL
7	Piston	23.00	HQL60A-PISTON
8	External Cylinder	30.00	HQL60A-ECYL
9	Guided Sleeve	4.00	HQL60A-BUSH
10	"O"Ring of Stop Ring	0.01	HQL60A-SR-RING
11	Stop Ring	0.60	HQL60A-SRING
12	Drive Chuck	5.50	HQL60A-DCHUCK
13	Drill Bit		HQL60A-165CC-TV

Technical Data

Length(Less bit)	Weigth(Less bit)	External Diameter	Bit Shank	Hole Range	Connection Thread
1183mm	92.0Kg	Φ148mm	QL60 HQL60A	Φ165-Φ178	API 3 1/2" Reg
Box Size	Impact rate at 1.7Mpa	Recommended rotation speed	Air Consumption		
			300-350(PSI)		
1260x180x200mm	25HZ	20-30r/min	600-900(CFM)		