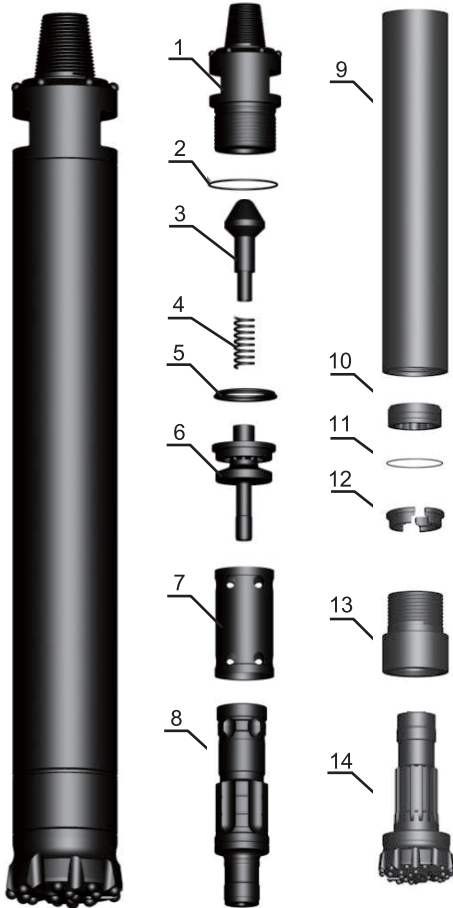


HK5-Q DTH HAMMER

HK5-Q. Hammers	Item Description	Weight (Kg)	Part Number
----------------	------------------	-------------	-------------



1	Top Sub	13.7	HK5-Q-TSUB
2	"O"Ring of Top Sub	0.01	HK5-Q-SR-TSUB
3	Check Valve	0.60	HK5-Q-CVALVE
4	Spring	0.10	HK5-Q-SPRING
5	Compression Buffer	0.20	HK5-Q-CBUFFER
6	Air Distributor	2.00	HK5-Q-DIST
7	Internal Cylinder	2.70	HK5-Q-ICYL
8	Piston	13.0	HK5-Q-PISTON
9	External Cylinder	22.5	HK5-Q-ECYL
10	Guided Sleeve	3.00	HK5-Q-BUSH
11	Retaining Ring	0.10	HK5-Q-RRING
12	Stop Ring	0.65	HK5-Q-SRING
13	Drive Chuck	4.50	HK5-Q-DCHUCK
14	Drill Bit		HK5-Q-135FF-TV

Technical Data

Length(Less bit)	Weighth(Less bit)	External Diameter	Bit Shank	Hole Range	Connection Thread
935mm	65.0Kg	Φ126	QL50	Φ140-Φ152	API 3 1/2 " REG
Box Size	Impact rate at 1.7Mpa	Recommended rotation speed	Air Consumption		
			250-350(Psi)		
1100x155x180mm	25HZ	30-70r/min	500-800(CFM)		